

ALFRED TEVES BRAKE SYSTEMS (PTY) LTD

TECHNICAL BULLETIN

28 April 2021

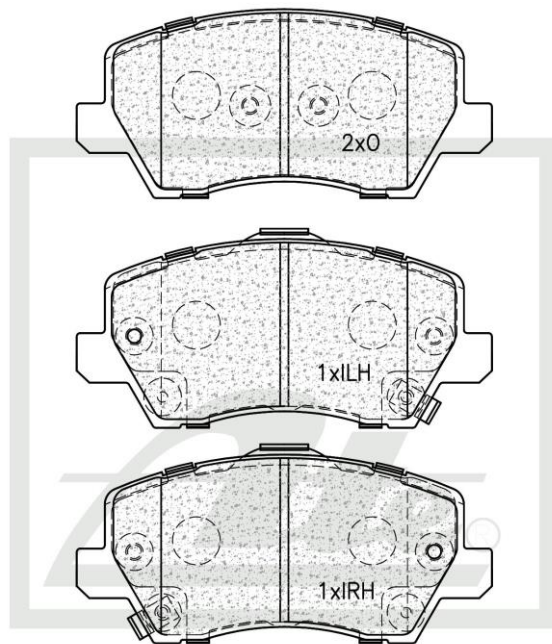


(ATE and Teves are registered trademarks of Continental Teves AG & Co oHG and/or its affiliates in Frankfurt Germany and other Countries)

ATE1396

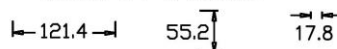
NEW PART NUMBER

Drawing



SUPPLIED WITH 2 X WEAR INDICATOR PADS PER SET

NOTE : L + R HANDED



Details of New Part

Brake Pad – Front

Product Dimensions

Length – 121.4mm

Height – 55.2mm

Thickness – 17.8mm

Package Dimensions

Weight – 1495g

L – 150mm

W – 90mm

H – 50mm

Barcode



ATE1396

Vehicle Applications

KIA PICANTO 1.0; 1.2 2017-
KIA PICANTO RUNNER 1.0 2018-

Front Position Rear



CALL NOW TO ORDER YOUR STOCK!!!

(011) 898 1800

Picture(s) of the vehicle(s) that this part is suitable for



www.ate.co.za

"Single Minded about YOUR Safety"